

Urban Verve-Folding



Back Support

Adjustable Tension Back Support



Seat

Folding Belt



Tire Panaracer Panasonic

Panaracer Spec. S tires



One Piece Folding Foot Plate



One piece folding foot plate



Folding

CJ Folding Foot Plate

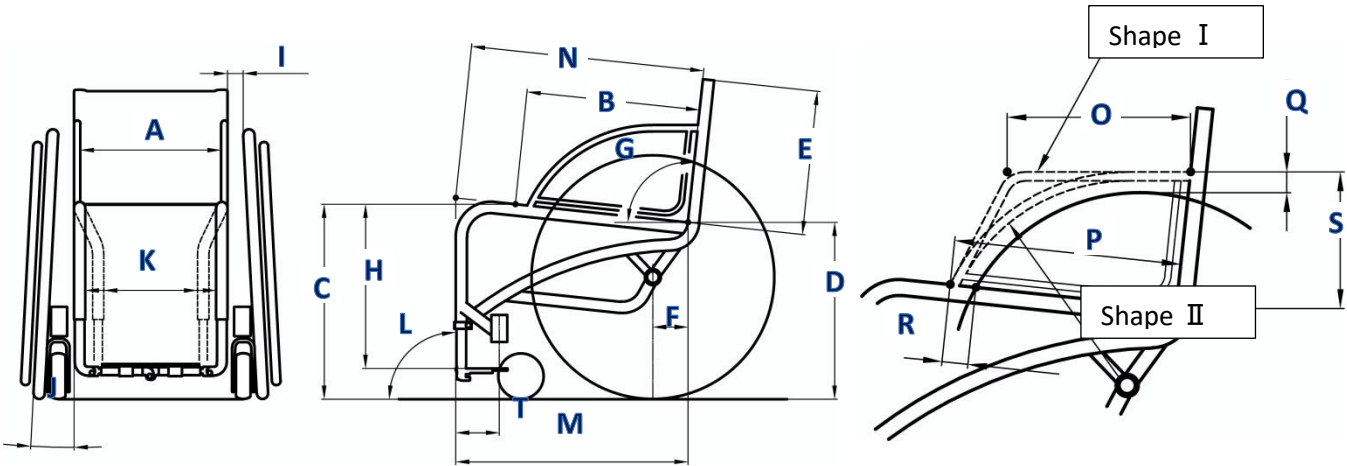


Center Joint folding foot plate

Urban Verve-Folding

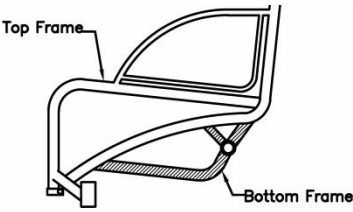
Order Form 2023

| Dealer Information | | Ship to Information | |
|--------------------|--|---------------------|--|
| Dealer Name | | Ship Via | |
| PO# | | Name | |
| Order Date | | Address | |
| Ordered by | | Phone | |
| Customer Name | | Ship Date | |



| | | | | |
|---|--|---------|--|-------|
| Urban Verve-Folding Base Price Max. Capacity 220Lbs | | \$3,470 | I : Rear Wheel Spacing <input type="checkbox"/> 2.5cm <input type="checkbox"/> 3cm <input type="checkbox"/> 3.5cm | STD |
| Frame Measurement | | | J : Camber Angle <input type="checkbox"/> 0° <input type="checkbox"/> 3° | STD |
| A-1 : Seat Width (cm) 34cm-40cm | | STD | K : Footrest Width (cm) *must be less than 5cm from your seat width | STD |
| (cm) 41cm-45cm | | \$250 | <input type="checkbox"/> No Taper | STD |
| A-2 : Seat Width with Carbon Fender Side Guards (cm) 34cm-40cm | | \$395 | L : Frame Angle to the floor <input type="checkbox"/> 90° <input type="checkbox"/> 95° <input type="checkbox"/> 100° | STD |
| (cm) 41cm-45cm | | \$465 | M : Base Length (cm) $\geq F$ (Center of Gravity) + 43cm | STD |
| B : Seat Depth (cm) 34cm-45cm | | STD | N : Frame Length M : Base Length (cm) $\geq B$ (Seat Depth) + 9cm | STD |
| C : Front Seat Height (cm) 40cm-47cm | | STD | Side Guard Shape *Welded side guards only *not available for Carbon fender guards | STD |
| D : Rear Seat Height (cm) 36cm-45cm | | STD | <input type="checkbox"/> Shape- I O =(cm) P =(cm) S =(cm) | |
| E : Seat Back Height (cm) 30cm-45cm | | STD | <input type="checkbox"/> Shape - II Q =(cm) R =(cm) | |
| F : Center of Gravity (cm) 2cm-10cm | | STD | <input type="checkbox"/> No Side guards | \$0 |
| G : Backrest Angle (°) from the floor | | STD | Custom Option-1 | |
| H : Footrest Height (cm) <input type="checkbox"/> Center Joint Folding | | STD | <input type="checkbox"/> Adjustable Center of gravity Rear Axle Holder Adjust range : +/- 1cm | \$280 |
| <input type="checkbox"/> One Piece Folding | | \$300 | | |

| Accessories | |
|--|---------|
| Cover of Side guards | |
| <input type="checkbox"/> Aluminum Cover (The same color as frame.) | \$STD |
| <input type="checkbox"/> Nylon Cover Black | \$150 |
| Armrests | |
| <input type="checkbox"/> Omit Armrests | STD |
| Tubular Armrests Fixed Frame- Choose Setting | |
| <input type="checkbox"/> 11.5"(28cm) <input type="checkbox"/> 12"(30cm) <input type="checkbox"/> 12.5"(32cm) | \$250 |
| Tubular Armrests Flip Back - Choose Setting | |
| <input type="checkbox"/> 11.5"(28cm) <input type="checkbox"/> 12"(30cm) <input type="checkbox"/> 12.5"(32cm) | \$250 |
| Back Upholstery | |
| <input type="checkbox"/> Tension Adjustable w/Fabric | STD |
| Wheel Lock | |
| <input type="checkbox"/> Scissor Lock (POS wheel lock) | STD |
| <input type="checkbox"/> Scissor Lock w/Return Spring (POS wheel lock) | STD |
| <input type="checkbox"/> Toggle - Pull to Lock (PD-4 wheel lock) | STD |
| Accessories | |
| Push Handles | |
| <input type="checkbox"/> Bending Style  | \$120 |
| <input type="checkbox"/> Welded L shape style  | \$150 |
| <input type="checkbox"/> Anti-Tips(Folding) | \$480 |
| <input type="checkbox"/> Calf Strap | NCO |
| Cell phone holder <input type="checkbox"/> Black <input type="checkbox"/> Red | \$50 |
| Can holder <input type="checkbox"/> Black <input type="checkbox"/> Red | \$60 |
| Note | |
| Caster wheels | |
| <input type="checkbox"/> 3" x 0.8"width Soft Roll Caster Wheels Black | STD |
| <input type="checkbox"/> 4" x 0.8"width Soft Roll Caster Wheels Black | STD |
| <input type="checkbox"/> 4" x 1.25"width Soft Roll Caster Wheels Black | STD |
| Frog Legs Aluminum Caster wheels / Black tire only / choose hub color | |
| <input type="checkbox"/> 3" x 1" width Black tire only | \$209 |
| <input type="checkbox"/> 4" x 1" width Black tire only | \$209 |
| <input type="checkbox"/> 3" x 1.5" width Black tire only | \$209 |
| <input type="checkbox"/> 4" x 1.5" width Black tire only | \$209 |
| Aluminum Anodized Hub Color | |
| <input type="checkbox"/> Red <input type="checkbox"/> Blue <input type="checkbox"/> Orange <input type="checkbox"/> Gold | |
| <input type="checkbox"/> Black <input type="checkbox"/> Silver <input type="checkbox"/> Pink <input type="checkbox"/> Green | |
| Frog Leg Forks <input type="checkbox"/> Black <input type="checkbox"/> Silver | \$607 |
| Rear Wheels | |
| <input type="checkbox"/> 24" (540)Standard Wheels | STD |
| 24" Spinergy SPOX Everyday | \$998 |
| <input type="checkbox"/> Black <input type="checkbox"/> White <input type="checkbox"/> Red <input type="checkbox"/> Blue <input type="checkbox"/> Yellow | |
| 24" Spinergy Light Extreme | |
| <input type="checkbox"/> Black <input type="checkbox"/> White <input type="checkbox"/> Red <input type="checkbox"/> Orange | \$1,252 |
| <input type="checkbox"/> Pink <input type="checkbox"/> Purple <input type="checkbox"/> Blue <input type="checkbox"/> Green <input type="checkbox"/> Yellow | |
| Note | |

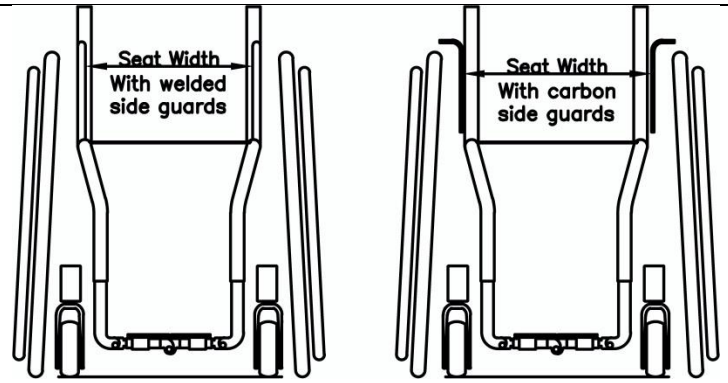
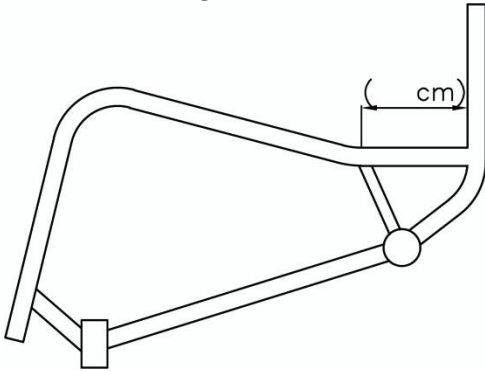
| Handrims | |
|--|-------|
| Ø19mm Hard anodized handrim | |
| Handrim distance from wheel | STD |
| <input type="checkbox"/> 0.5cm <input type="checkbox"/> 1cm <input type="checkbox"/> 1.5cm <input type="checkbox"/> 2cm <input type="checkbox"/> 2.5cm | |
| Natural Fit handrim LT *Spinergy wheel only | |
| Handrim distance from wheel | \$400 |
| <input type="checkbox"/> 1.5cm <input type="checkbox"/> 2cm | |
| <input type="checkbox"/> Vinyl Coated | \$142 |
| Rear Tires & Inner Tubes | |
| Panaracer Spec II 23-540 | STD |
| <input type="checkbox"/> Dark Gray <input type="checkbox"/> Blue <input type="checkbox"/> Red | |
| <input type="checkbox"/> Panaracer Spec A 25-540 Black only | \$120 |
| <input type="checkbox"/> Schwalbe marathon Black only | \$170 |
| Bolt on parts color | |
| Include caster forks, wheel lock, caster cap, cross frame, footrest, armrest | |
| <input type="checkbox"/> Anodized Black | STD |
| <input type="checkbox"/> Anodized Silver | \$90 |
| <input type="checkbox"/> Anodized Red | \$370 |
| <input type="checkbox"/> Anodized Blue | \$370 |
| <input type="checkbox"/> Anodized Orange | \$370 |
| <input type="checkbox"/> Anodized Gold | \$370 |
| Main frame color | |
| <input type="checkbox"/> Paint Color Name = () | STD |
| <input type="checkbox"/> Anodized Black | \$250 |
| <input type="checkbox"/> Anodized Red | \$250 |
| <input type="checkbox"/> Anodized Blue | \$250 |
| <input type="checkbox"/> Anodized Orange | \$250 |
| <input type="checkbox"/> Anodized Gold | \$250 |
| Main frame color / Two Color | |
|  | |
| Top Frame Color *paint only | |
| Paint Color Name = () | \$550 |
| Bottom Frame Color *anodized only | |
| <input type="checkbox"/> Anodized Silver | |
| <input type="checkbox"/> Anodized Black | |
| <input type="checkbox"/> Anodized Red | |
| <input type="checkbox"/> Anodized Blue | |
| <input type="checkbox"/> Anodized Orange | |
| <input type="checkbox"/> Anodized Gold | |
| Custom Option-2 | |
| <input type="checkbox"/> Welded Tie Down (front and rear) | \$230 |
| <input type="checkbox"/> Heavy duty cross frame | \$350 |
| <input type="checkbox"/> Heavy duty main frame | \$400 |

Custom Frame Option-3

Ergo seat tubing

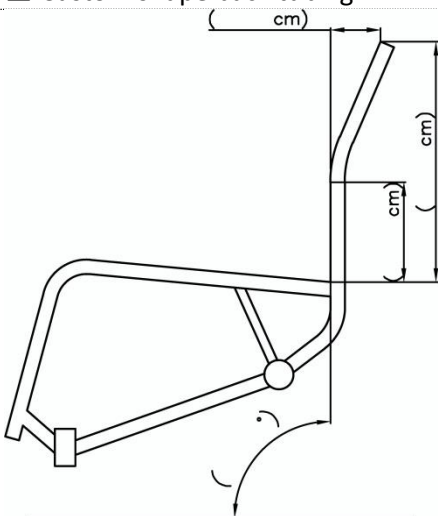
\$500

*The frame shape and components will be different from original shape. Please confirm from the drawing.



Custom shape back tubing

\$280



Toggle - Pull to Lock



Scissor Lock (POS wheel lock)

(PD-4 wheel lock)

Note